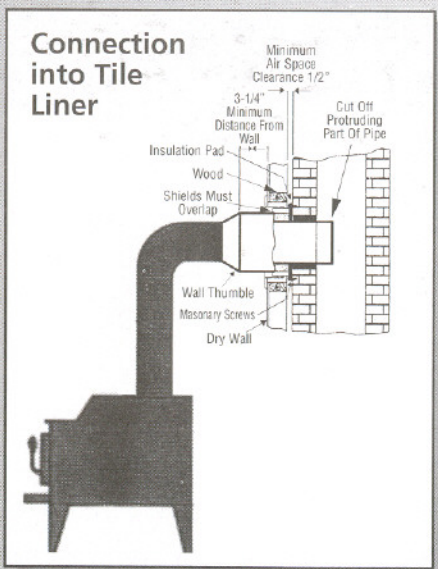
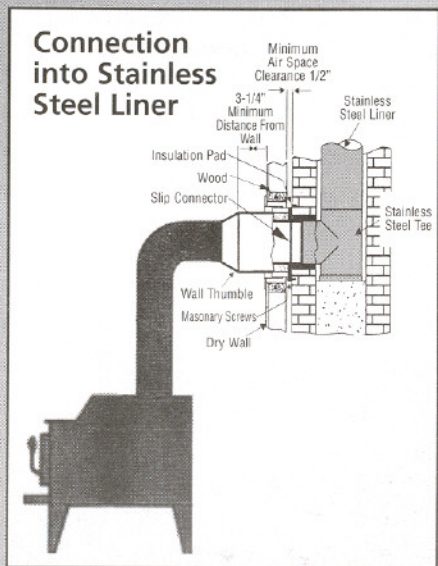


Model IWT Chimney Connector Wall Thimble

If you're Venting a Stove through a combustable wall into an exterior masonry chimney ... then you need the added safety and convenience of the **MODEL IWT Chimney Connector Insulated Wall Thimble!**

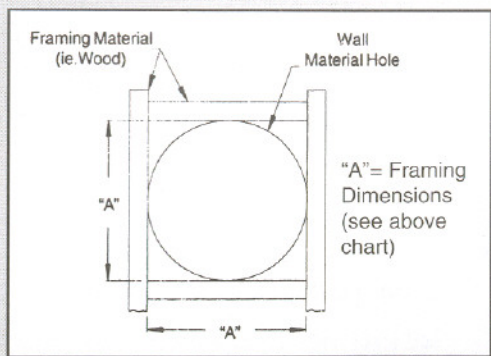


- * Proven to be the only link for a secured *permanent* connection! Single Wall Pass throughs require annual inspections
- * 2" Clearance to combustibles for reduced framing dimensions versus 18" for Single Wall Stove Pipe & 9" for shielded Single Wall Stove Pipe. (See chart below).
- * Available in 5", 6", 7", & 8" Diameters
- * Certified to CAN/ULC-S641 and to ANSI/UL 103 HT

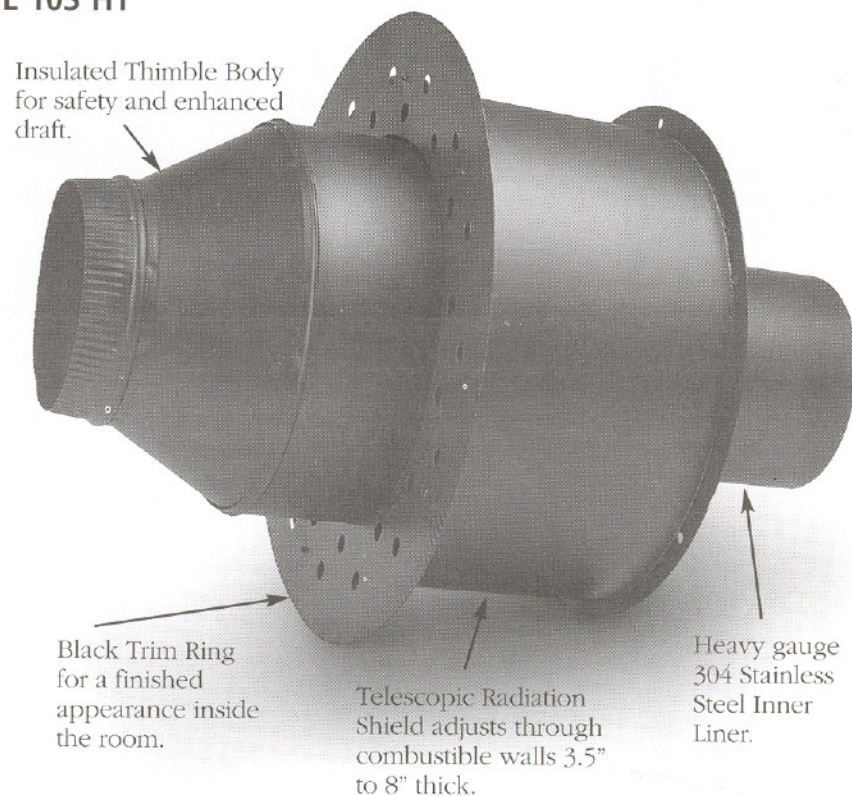
Connects Single Wall or Double Wall Stove Pipe to a Stainless Steel or Masonry Tile Liner.

Framing Dimensions Comparison Chart

PIPE DIAMETER	MODEL IWT CHIMNEY CONNECTOR WALL THIMBLE	SINGLE WALL CONNECTION	
		UNSHIELDED	SHEILDED
5"	13-1/8" x 13-1/8"	41" x 41"	23" x 23"
6"	14-1/8" x 14-1/8"	42" x 42"	24" x 24"
7"	15-1/8" x 15-1/8"	43" x 43"	25" x 25"
8"	16-1/8" x 16-1/8"	44" x 44"	26" x 26"
Clearances	2"	18"	9"



Model IWT can be found as part of the Model DSP Double Wall Stove Pipe product line.



For more information please call 1-800-263-9308
SELKIRK CANADIAN OPERATIONS